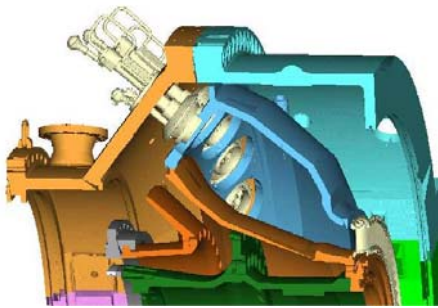




## Gas Turbine Alternative Fuel System Modification

HPI, LLC and Missouri City, TX-based General Vortex Energy Inc. have agreed to jointly engineer and market alternatively-fuelled power solutions based upon glycerin and other sources. As a result of the market interest in applying waste-stream glycerin associated with bio-diesel production, HPI's gas turbine specialists and General Vortex's combustion experts will combine efforts to help owners of existing gas turbine generators to convert combustion systems currently in use from fossil-based to alternative fuels based upon local availability and incentives. HPI and General Vortex are currently the only team with the experience and ability to deliver unique technology on existing gas turbines via a turnkey, engineered offering.



The scientific and engineering team members of General Vortex are internationally recognized experts in combustion and engine technology. Team members possess numerous patents, both in the US and abroad, for many related devices and processes. Combined with HPI's total team member experience of 150 years in controlling fuel systems on new and retrofitted gas turbines of all types globally, the two companies have already attracted the interest of OEMs and operators who have set budgets to convert the fuel systems on their gas turbines, but have been lacking a credible solutions partner. Extensive lab validations have been performed and commercial scale applications are now being designed by the two companies.